

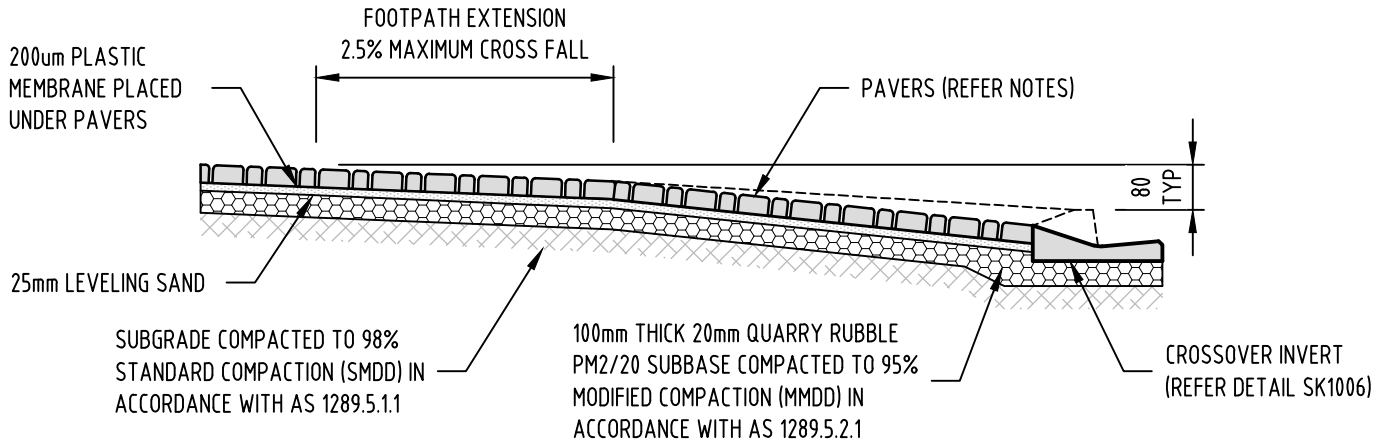
DRIVEWAY CROSSOVER SECTION (CONCRETE)

SCALE: N.T.S.

DETAIL TO BE READ IN CONJUNCTION WITH STANDARD DETAILS SK1006, SK1008, SK1010

NOTE:

- ALL WORKS TO BE COMPLETED IN ACCORDANCE WITH DRIVEWAY CROSSOVER SPECIFICATION AVAILABLE FROM COUNCILS CITY ASSETS DEPARTMENT
- BEFORE CONSTRUCTING DRIVEWAY CROSSOVERS CITY ASSETS SHOULD BE CONTACTED AS EXISTING LEVELS MAY NOT BE FINAL. FAILURE TO COMPLY MAY RESULT IN ADDITIONAL EXPENSE TO THE OWNER
- CONCRETE SPECIFICATIONS AS FOLLOWS:
 - NOMINAL 4:2:1 MIX
 - $f'c = 25 \text{ MPa}$ MINIMUM, $f'c = 32 \text{ MPa}$ (WITHIN 1KM OF COASTAL AREA)
 - 80mm MAXIMUM SLUMP USING ORDINARY PORTLAND CEMENT
 - MAXIMUM AGGREGATE SIZE OF 14mm
- PROTECTION TO BE GIVEN FROM THE SUN AND DAMAGE DURING THE FIRST SEVEN DAYS OF CURING.
- CONCRETE TO BE REINFORCED WITH STEEL FABRIC PLACED 50mm FROM TOPSIDE.
- PREFABRICATED CONCRETE BLOCKS TO BE USED TO SUPPORT MESH.



DRIVEWAY CROSSOVER SECTION (BLOCK PAVED)

SCALE: N.T.S.

DETAIL TO BE READ IN CONJUNCTION WITH STANDARD DETAILS SK1006, SK1008, SK1010

NOTE:

- ALL WORKS TO BE COMPLETED IN ACCORDANCE WITH DRIVEWAY CROSSOVER SPECIFICATION AVAILABLE FROM COUNCILS CITY ASSETS DEPARTMENT
- BEFORE CONSTRUCTING DRIVEWAY CROSSOVERS CITY ASSETS SHOULD BE CONTACTED AS EXISTING LEVELS MAY NOT BE FINAL. FAILURE TO COMPLY MAY RESULT IN ADDITIONAL EXPENSE TO THE OWNER
- PAVING BLOCKS ARE TO BE 80mm TERRACOTTA/BRAZILIAN BROWN SMALL PACE PAVE COLOUR. ALTERNATIVE PAVERS ARE TO BE APPROVED IN WRITING BY CITY ASSETS DEPARTMENT.
- SEGMENTED PAVERS ARE TO HAVE THE FOLLOWING CHARACTERISTICS PER AS/NZS 4456; BREAKING LOAD TO 5kN, FLEXURAL STRENGTH TO 3 MPa, ABRASION RESISTANCE TO BE 3.5 AND SLIP RESISTANCE TO BE 0.4 AS PER AS/NZS 3661.

STANDARD DETAIL

DRIVEWAY CROSSOVER SECTION (CONCRETE)
DRIVEWAY CROSSOVER SECTION (BLOCK PAVED)



CITY OF
Port Adelaide Enfield

File Name

SK1009

Revised	04 JAN 2018
Approved	A.WOOD
Revision	D