

SAW CUT EXISTING FOOTPATH AT CONTROL JOINT LOCATION AND REMOVE ENTIRE CONCRETE PANEL (CONCRETE FOOTPATHS ONLY). REINSTATE FOOTPATH IN ACCORDANCE WITH STANDARD DETAIL SK1011

INSPECTION SUMP INSIDE PROPERTY BOUNDARY.

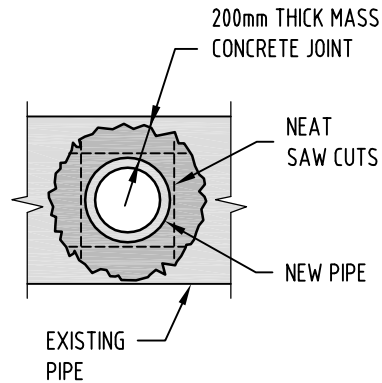
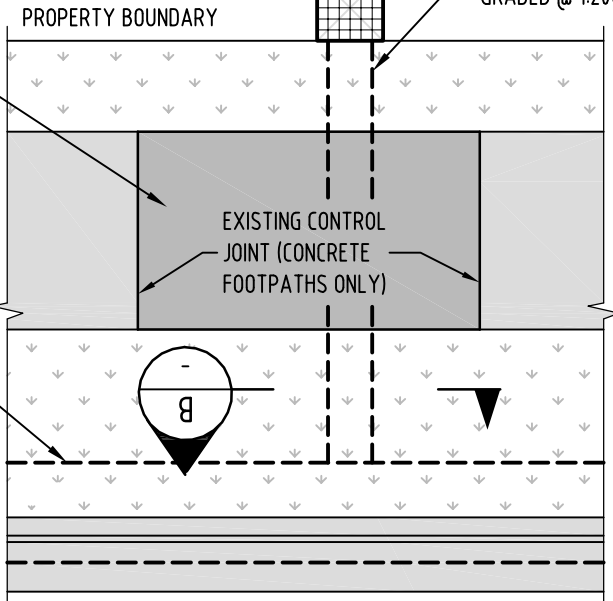
DRAINAGE PIPE FROM INSIDE ALLOTMENT.

NEW 225mm (MIN) DIA RCP GRADED @ 1:200 (MIN)

IMPORTANT NOTE:
COUNCIL TO BE NOTIFIED AT LEAST 24HRS BEFORE BACKFILLING.

EXISTING PIPE. CONTRACTOR TO CONFIRM EXACT DEPTH AND LOCATION ON-SITE

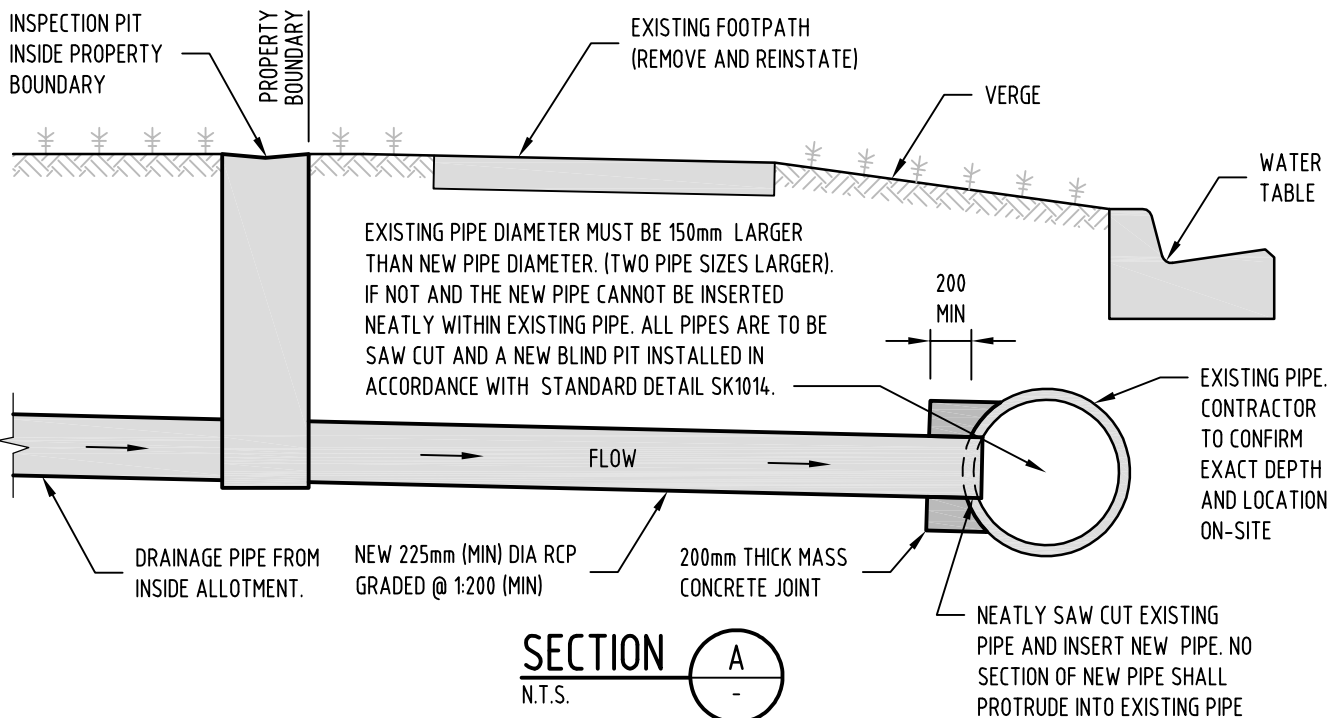
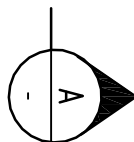
EXISTING PIPE



SECTION B
SCALE: N.T.S.

STORMWATER CONNECTION (UNDER VERGE)

SCALE: N.T.S.



NOTE:

1. IN MARINE GROUNDWATER ENVIRONMENTS CONCRETE SHALL BE TO EXPOSURE CLASSIFICATION C IN ACCORDANCE WITH AS 3600 FOR DURABILITY AND CHARACTERISTIC STRENGTH SHALL BE 50MP_a WITH 30% FLYASH MIX.

STANDARD DETAIL STORMWATER CONNECTION (UNDER VERGE)



CITY OF
Port Adelaide Enfield

File Name

SK1019

Revised	29 MAR 2016
Approved	A.WOOD
Revision	B